

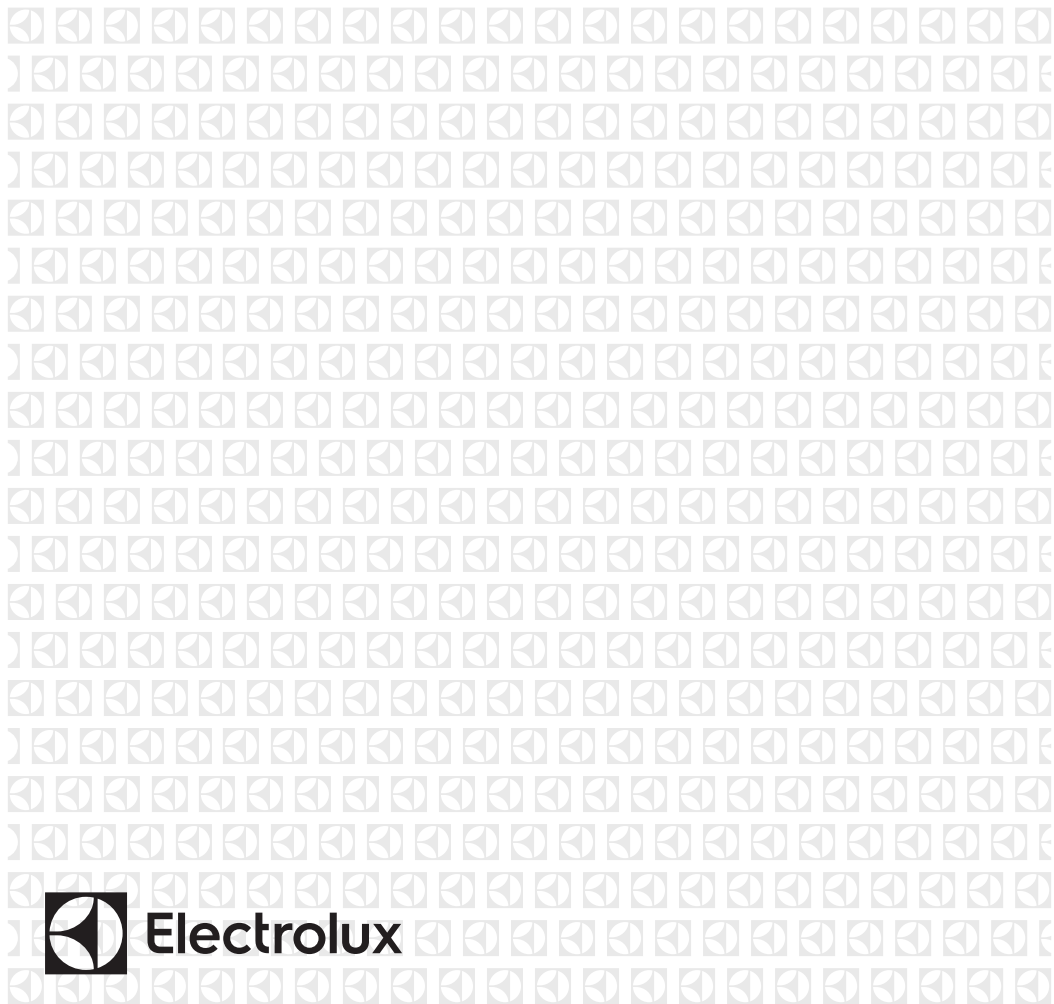
EWE351QX-W4
EWE381QX-G4
EWE451QX-W4
EWE481QX-G4
EWE601QX1G4

EWE451QB-W4
EWE361QX-W3
EWE361QB-W4
EWE361QB-G7
EWE241QX-W4



EN UH500 ELECTRIC WATER HEATER

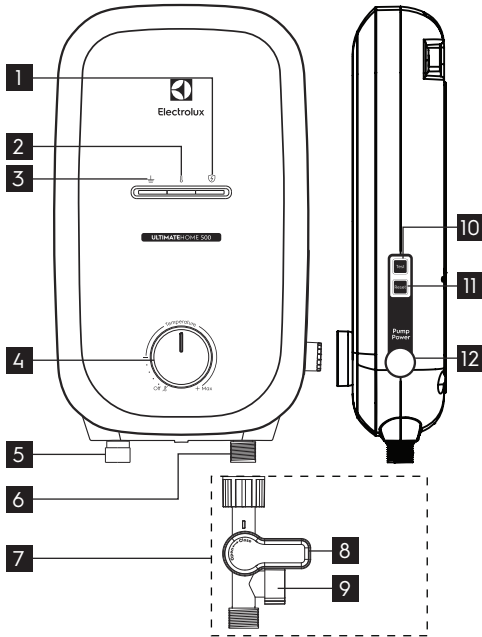
INSTALLATION GUIDE & USER MANUAL



Electrolux

1. PARTS IDENTIFICATION

Main Product

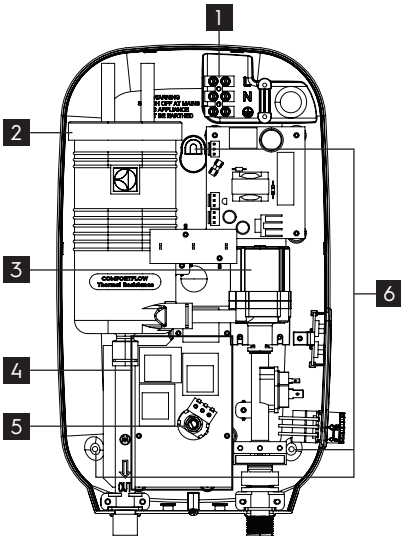


1. ELCB (Earth Leakage Circuit Breaker) Indicator
2. Power/heater Indicator
3. Earth Indicator
4. Temperature knob*
5. Water outlet
6. Water inlet
7. 3 in 1 Stop Valve
8. Stop Valve Lever
9. Built-in-Filter
10. Pump button
11. Reset button
12. Pump knob (pump model only)**

*Temperature Knob is not pre-installed and is packed in the accessory box.

**Pump knob is for models with pump feature only.

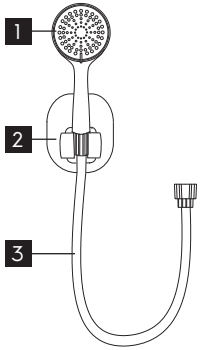
Product Inside



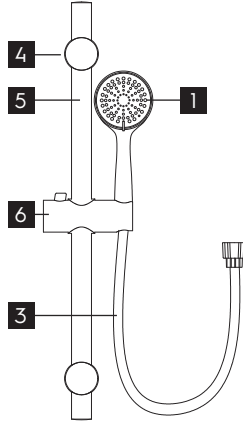
1. Terminal Block
2. Heater Tank
3. D.C. Silent Pump (pump models only)
4. Main Control PCB
5. Control rod
6. Hanging holes

1. PARTS IDENTIFICATION(Continued)

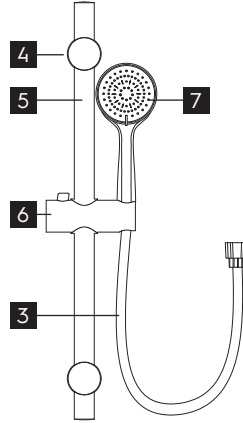
Shower Accessory



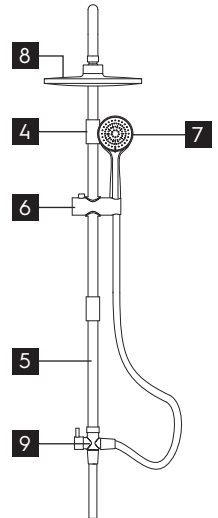
3-way shower
with Bracket Holder



3-way shower
with Slider Bar



5-way shower
with Slider Bar



Rain shower
accessory

1. 3-way shower head
2. Shower Bracket Holder
3. PVC Hose
4. Rail Bracket

5. Slider Rail
6. Adjustable Shower Holder
7. 5-way shower head
8. Rain Shower Head
9. Selector Valve

Note: Shower accessories may vary depending on the model of the electric water heater. All drawings are for reference only and the actual product may be slightly different.

2. SAFETY INFORMATION

Products manufactured by Electrolux are safe provided they are installed, used and maintained in good working order in accordance with our instructions and recommendations. Always refer to this manual if you have any doubt.

The Electric Water Heater must be earthed. Improper grounding could cause electrical shock.

If any of the following conditions occur, immediately switch off the power supply and contact the Electrolux Consumer Care Center. Never attempt to repair the Electric Water Heater by yourself:

- Odd noise, smell, or smoke from the Electric Water Heater.
- ELCB trips and Electric Water Heater Indicator does not light up.
- Inability to control water temperature.

- Distinct change in performance.
- Water leakage from inside.

If the amber (POWER) Indicator does not turn white when you turn off the water, switch off the mains supply and contact Electrolux Consumer Care Centre for repair service. Special skill is required for repairing.

NEVER try to repair the unit by yourself.

For Pump Models, it is highly recommended to connect the Water Inlet Connection to a tank storage supply; otherwise, it may cause damage to the Pump Motor.

When the Electric Water Heater is used by someone such as a child, elderly person, sick person, or physically handicapped person, the person concerned is kindly requested to pay attention and check the shower temperature by hand from time to time.

2. SAFETY INFORMATION(Continued)

Before using the Electric Water Heater, it is advisable to test and adjust the water temperature according to your preference.

During lightning or thunderstorms, switch off the power supply to the Electric Water Heater in advance to prevent possible damage.

Ensure that the earth continuity conductor of the electrical installation is effectively connected to all exposed metal parts of other appliances and services in the room. This ensures proper earthing/grounding for the ELCB (Earth Leakage Circuit Breaker) to be effective and conforms to local regulations.

WARNING: Metallic / chromed hose and conductive control valve shall not be used.

Note that when removing the Electric Water Heater from its package, a small amount of water may be found inside. This is normal as the Electric Water Heater undergoes testing during the manufacturing process.

CAUTION !

Installation must be carried out by qualified personnel and in compliance with local authority regulations.

This Electric Water Heater must be permanently connected to the direct main line supply. The use of a plug and socket is not recommended.

Refer to Table 1 for the correct size of wire conductor corresponding to different electrical loadings.

This Electric Water Heater operates at a minimum water flow rate of 2.0 liters/min (2.2 f/Min for 4.8kW & 2.5 f/min for 6.0kW model only) and a maximum working pressure of 6 bars. For direct connection from the water tank, the Electric Water Heater must have an installation minimum 1.0m below the water tank.

The built-in ELCB (Earth Leakage Circuit Breaker) will automatically cut off the power supply in case of current leakage over 15mA.

The thermostat will automatically cut off the power supply if it senses an abnormal rise in water temperature.

The spray head must be descaled regularly to ensure optimal performance and safety.

Do not switch on the Electric Water Heater if there is a possibility that the water inside the heater is frozen.

Ensure that the outlet is not connected to any tap or fitting other than those specified.

The water inlet of this appliance should not be connected to inlet water obtained from any other water heating system.

This appliance is not intended for use by persons (including children) with reduced physical, sensory or mental capabilities, or lack of experience and knowledge, unless they have been given supervision or instruction concerning use of the appliance by a person responsible for their safety.

Children should be supervised to ensure that they do not play with the appliance, minimizing the risk of accidents.

Ensure that means for disconnection are incorporated in the fixed wiring in accordance with wiring rules for added safety.

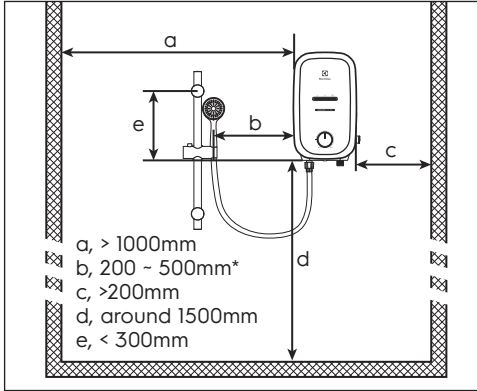
WARNING: This appliance is not to be used for a potable water supply.

Means for disconnection must be incorporated in the fixed wiring in accordance with the wiring rules.

3. INSTALLATION

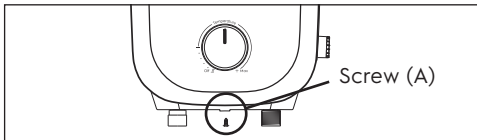
3.1 Product Mounting

1. Select a suitable position in the bathroom.
 Note: The bottom of the water heater should be slightly higher than the shower head holder during normal usage to avoid water splashing on the water heater.



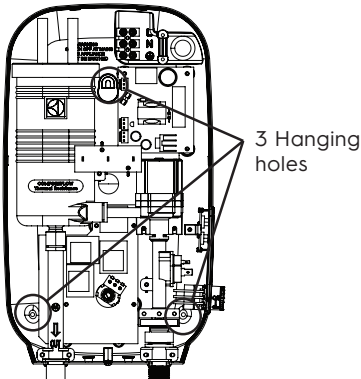
*For rain shower model, recommend distance is 400 ~ 500mm

2. Remove the screw (A) at the bottom of the Electric Water Heater. Keep screw for reinstallation.



3. Remove the Front Cover from the bottom and then lift up the front cover.

4. Mark 3 screw points of the Heater Base on the wall. The Electric Water Heater position should be 1.5m above the bathroom floor.



5. Use a 6mm diameter drill bit and make the wall plug holes with a depth of 34mm for mounting the Electric Water Heater.

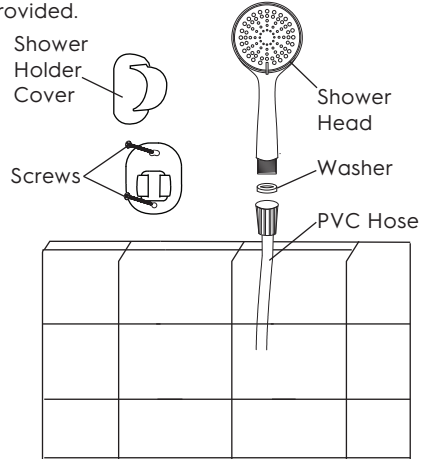
6. Insert the wall plugs and mount the Electric Water Heater firmly in position with the screws provided.

3.2 Shower Accessory Mounting

Bracket Holder (for Bracket holder models):

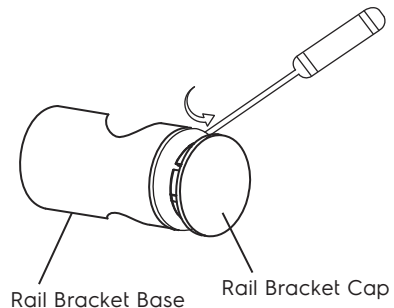
Open the Shower Holder cover, mark 2 screw points of the Shower Holder beside the Electric Water Heater. It is recommended that the top of the portion is level with the top Electric Water Heater. Drill 6mm diameter holes with a depth of 34mm, insert the wall plugs, and mount the bracket holder base with the screws provided. Put back the shower holder cover.

Install the Shower head with PVC hose provided.



Slider Bar (for slider bar models):

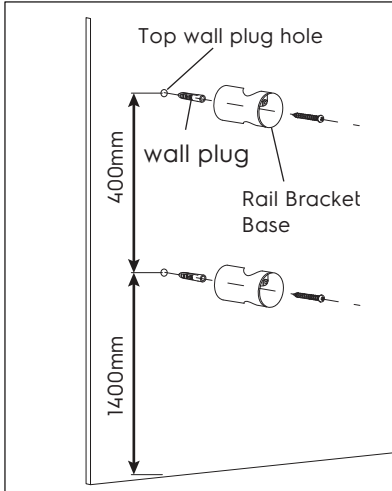
Using a screwdriver, open the cap of the Rail Bracket as shown below.



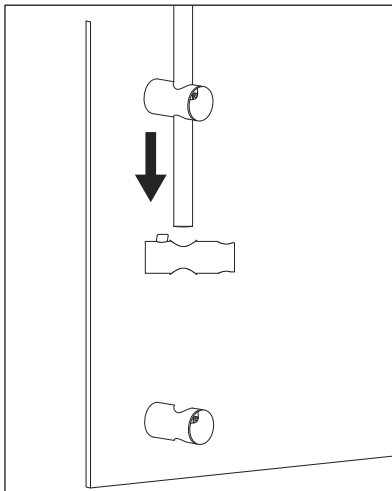
3. INSTALLATION(Continued)

Select a suitable position for the slider rail shower set then mark 2 screws point (1 on top and 1 on bottom). It is recommended that the Top Rail Bracket position at a height of 1800mm to the floor and Bottom Rail Bracket 1400mm to the floor.

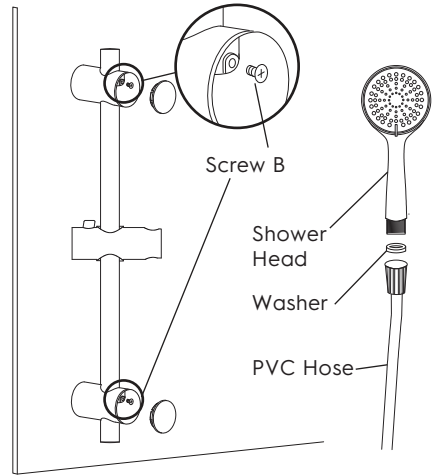
Use a 6mm diameter drill bit and make the wall plug holes with a depth of 34mm. Insert the wall plugs and mount the Rail Bracket Base firmly in position with the screws provided.



Grab the Slider Rail and pass it through the top Rail bracket, shower head holder, and bottom Rail bracket in sequence.



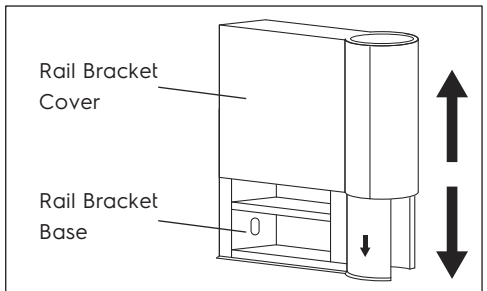
Fix the Slider Rail by tightening screw B on Rail Bracket, then reinstall the caps as shown below.



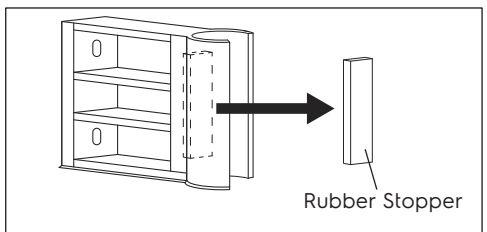
Install the Shower head with PVC hose provided.

Rain shower (for rain shower models):

Open the Rail Bracket cover.



Take out the rubber stopper.

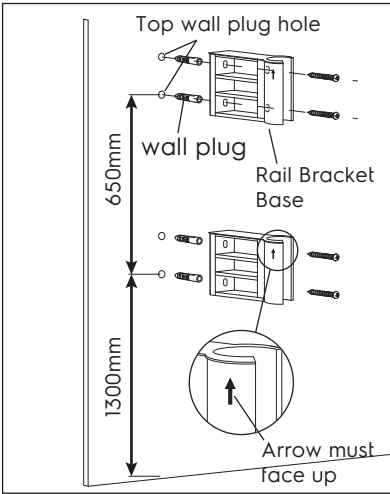


3. INSTALLATION(Continued)

Select a suitable position for the slider rail shower set then mark 4 screw points (2 on top and 2 on bottom). It is recommended that the Top Rail Bracket position at a height of 1950mm to the floor and Bottom Rail Bracket 1300mm to the floor.

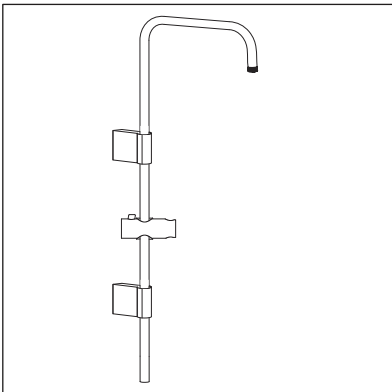
Use a 6mm diameter drill bit and make the wall plug holes with a depth of 34mm. Insert the wall plugs and mount the Rail Bracket Base firmly in position with the screws provided.

Note: The arrow on the Rail Bracket Base must face up.

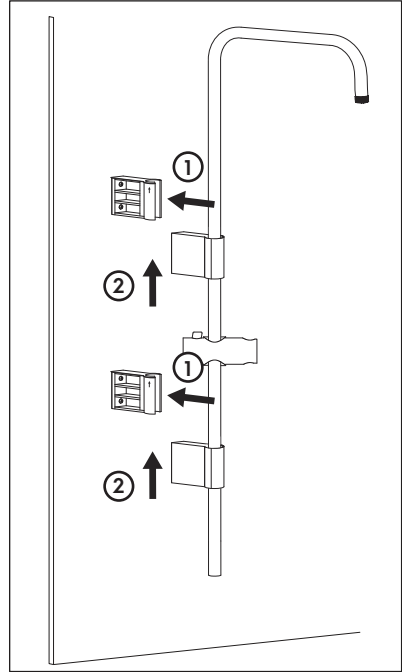


Reinstall the rubber stopper to the 2 Rail Bracket Base.

Grab the Slider Rail and pass it through the top Rail bracket cover, shower head holder, and bottom Rail bracket cover in sequence.

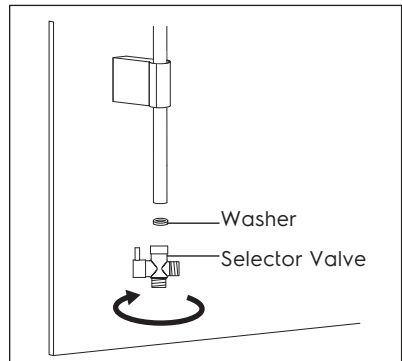


Press the Slider Rail into the Rail Bracket Base and reinstall the Rail Bracket Cover.



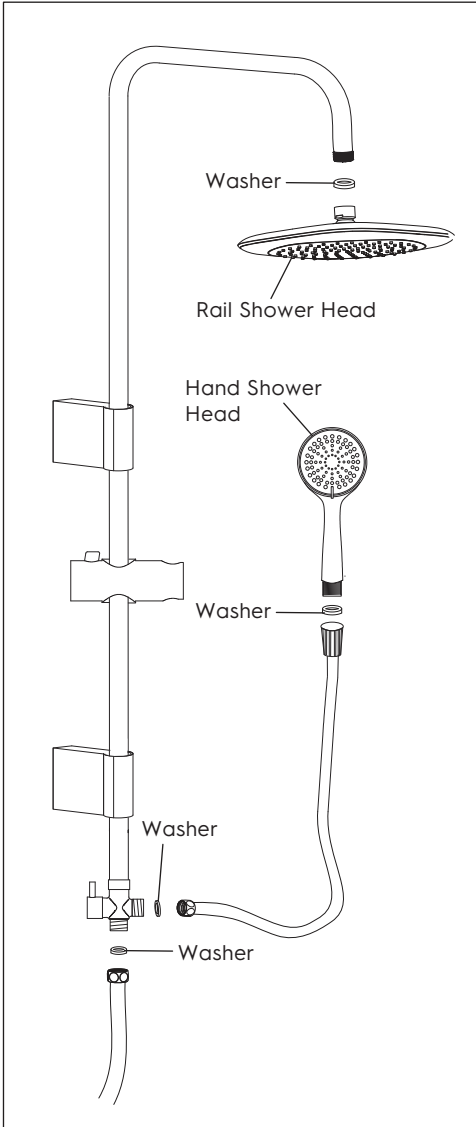
Install the Selector Valve.

Note: Rotate the selector Valve anticlockwise to tighten.



3. INSTALLATION(Continued)

Install rail shower head, hand shower head, and connect PVC hose to the water inlet of the Selector Valve as shown below:



3.3 Plumbing Procedure

CAUTION!

This Electric Water Heater is a single-point system, and the "Water Outlet" can only be fitted to the Hose and Hand shower set provided. MUST NOT CONNECT CONTROL VALVE OR FITTING TO THE WATER OUTLET.

1. Connect the 3 in 1 Stop Valve to the Water Inlet with a washer. Use correct tools to tighten and be careful not to over tighten and damage the plastic nut.

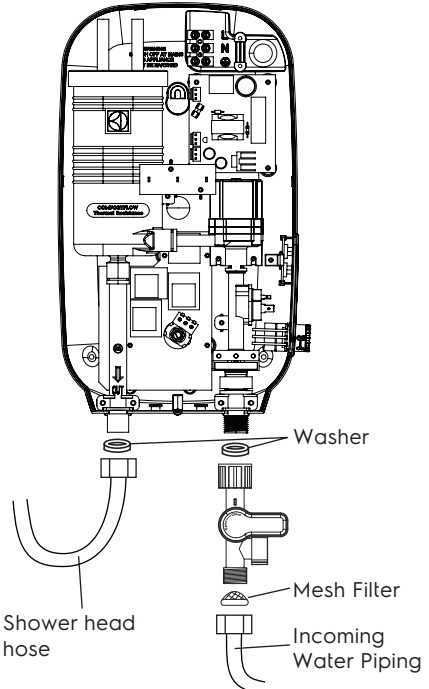
2. Connect the incoming water piping to the 3 in 1 Stop Valve (1/2" BSP).

Note: Make sure to put the Mesh Filter between 3 in 1 Stop Valve and incoming water piping.

3. Turn on the water mains to drain out all plumbing dirt before connecting the water supply to the Electric Water Heater.

Note: The water supply to the Electric Water Heater must be free from mud and dirt.

4. Turn off the water mains and connect the water outlet to the shower head hose.



5. Open the water supply again and check for any water leakage.

3. INSTALLATION(Continued)

IMPORTANT!

For Pump Models, it is highly recommended to connect the Water Inlet Connection to a storage supply tank; otherwise, it may cause damage to the Pump Motor.

WARNING!

THE HEATER TANK MUST BE FILLED UP WITH WATER BEFORE TURNING ON THE ELECTRICITY SUPPLY TO PREVENT ANY DRY BURNT DAMAGE TO THE HEATING ELEMENT. THE WATER INLET AND OUTLET MUST BE INSTALLED CORRECTLY, OTHERWISE, THE ELECTRIC WATER HEATER WILL NOT FUNCTION.

DO NOT APPLY PLUMBING CEMENT ON ANY OF THE CONNECTIONS. MAKE SURE TO ONLY USE THREAD OR SEALING TAPE AT 3 in 1 STOP VALVE INLET.

MUST USE 3 in 1 STOP VALVE ACCESSORIES PROVIDED WITH THE ELECTRIC WATER HEATER.

3.4 Electrical Installation

WARNING!

EARTHING :

A) The Earthing installation should be carried out in accordance with the local Wiring Regulations.

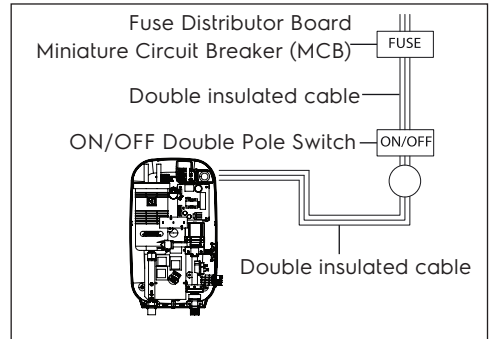
B) The Electric Water Heater must be earthed. Improper grounding, such as Earth conductor not grounded (floating) or having high resistance to ground, could cause malfunction to ELCB (Earth Leakage Circuit Breaker) and electrical shock. Never use water heater if there is doubt on Earthing installation.

Always SWITCH OFF the mains electric power supply before carrying out any electrical work.

Use double insulation cable and choose correct cable size as TABLE 1 for electrical installation.

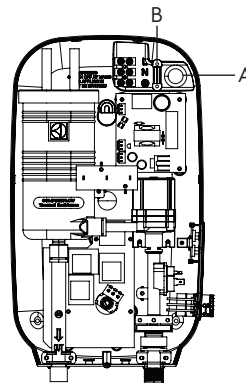
Refer to SAFETY INFORMATION before Plumbing and Electrical Installation for safety and warning details.

1. Lead the power cable from MCB to an "ON/OFF" double-pole switch having a contact separation of at least 3mm in all poles outside the bathroom, then lead a cable to the terminal block inside the Electric Water Heater Unit.



NOTE: Refer to TABLE 1 for electrical loading and correct size of wire conductor

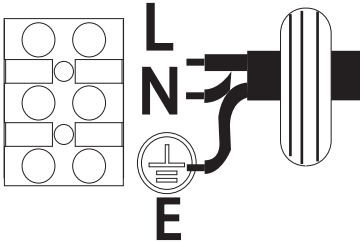
2. Insert the wall embedded cable through Side Entry 'A' by cutting a hole at the source cord rubber holder and lead the cable to Cable Bracket 'B'.



3. INSTALLATION(Continued)

3. Connect the mains cable to the Terminal Block as follows:

BROWN or RED --LIVE (L)
BLUE or BLACK --NEUTRAL (N)
GREEN or GREEN/YELLOW --EARTH (⊕)



4. Double-check if the wiring connection is correct.

For first installation, it is advised to check for earth connection of the water heater.

Earth light will light up if wire connection is properly done. If the earth light does not light up, installer needs to check the following.

a. Ensure Live and Neutral wire are fixed in correct position

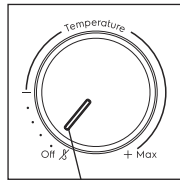
b. Ensure Earth wire connection is properly fixed

If earth light still does not light up, please contact electrician to check household earth connection.

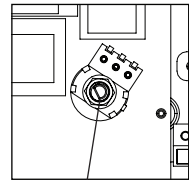
5. Install the temperature knob to the front cover.

Note: The temperature knob is packed inside the accessory box.

6. Position the temperature knob and the control rod as shown below and reinstall the front cover.

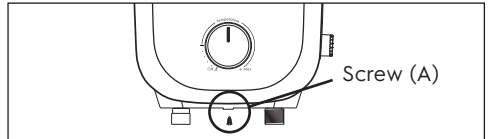


Point at the off position



Turn counterclockwise to the end

8. Reinstall screw A.



3. INSTALLATION(Continued)

TABLE 1 - CABLE SIZE TABLE

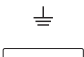

Voltage (AC)	Power (kW)	Current (A)	Conduit Cable (Rigid cable)	Flexible Cable	On/Off Switch (a)	Fuse / MCB (A)
220V ~ 50/60 Hz	2.4	10.9	1.5 ~ 4.0 mm ²	1.5 ~ 2.5 mm ²	20	20
	3.5	15.9	1.5 ~ 4.0 mm ²	1.5 ~ 2.5 mm ²	20	20
	3.8	17.3	2.5 ~ 6.0 mm ²	2.5 ~ 4.0 mm ²	20	20
	4.5	20.5	2.5 ~ 6.0 mm ²	2.5 ~ 4.0 mm ²	32	32
	4.8	21.8	2.5 ~ 6.0 mm ²	2.5 ~ 4.0 mm ²	32	32
	6.0	27.3	4.0 ~ 10.0 mm ²	4.0 ~ 6.0 mm ²	32	32
240V ~ 50/60 Hz (Malaysia Model)	3.6	15.0	4.0 mm ²	4.0 mm ²	25	25

4. USAGE INSTRUCTION

Self Check

Each time the power supply is switched on, the unit will run a self-check. The 3 LED Indicators "Earth," "Power/Heater," and "ELCB" will light up white one by one to indicate the unit is self-checking. After self-checking, the 3 LED indicators will remain white.

If there is any issue, the LED indicators will behave as shown below:

LED behavior	Possible reason
 Earth LED turn off after self checking.	Earth cable is not installed or other earth issue.
 ELCB LED blinking amber continuously after self checking.	Electrical leak can be triggered at any time during usage or standby.
	ELCB (Earth Leakage Circuit Breaker) having problem during performing testing.

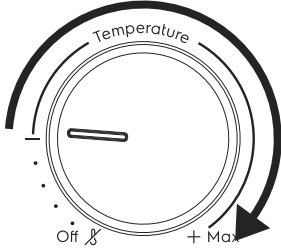
If any issue occurs, turn off the mains supply and turn it on again. If the issue persists, contact local Electrolux Service or authorized service technicians.

4. USAGE INSTRUCTION(Continued)

Temperature Control

Turn on the Temperature control knob to 'ON', the 3 LED indicators "Earth," "Power/Heater," and "ELCB" will light up amber, and the outlet water will become warmer within a few seconds.

The more Temperature Control Knob being turned clockwise, the hotter the water becomes.



If the water is overheated or the water flow stops, the 3 LED indicators will light up in white. The Electric Water Heater might not be hot enough even at the 'MAX' position if the incoming water supply is too cold or the flow rate of water is too high. In this case, you may adjust the 3 in 1 Stop Valve to reduce the water flow rate to get the desired showering temperature. (Recommended flow rate should be below 6 liter/min)

If the water flow rate is too low, the heater cannot be activated.

It is unnecessary to turn the Temperature Control Knob to "OFF" position when the Instant Hot Shower is not in use.

Switch OFF the power supply after the shower.

Cold Shower

Turn the Temperature Control Knob to 'Off,' the 3 LED Indicators "Earth," "Power/Heater," and "ELCB" will light up white. Heater will be off.

Check the Built-in ELCB

1. Press the "TEST" Button, the Built-in ELCB (Earth Leakage Circuit Breaker) should trip and cut off the power supply. The "Earth" and "Power/Heater" indicator should turn off. ELCB indicator will blink with amber.

2. Press "Reset" button to start testing. One by one, the 3 LED will blink white 3 times and stay solid if there is no issue.

If there is any issue, the LED indicators will behave as shown in the self-check section.

Pump feature (For model with pump feature only)

Basic Pump Function

Turn on the Pump Control Knob to increase the water flow rate when necessary.

Booster Pump Function

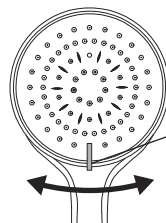
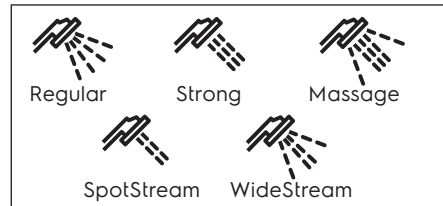
If the power supply is ON, and the water flow rate is not sufficient to activate the flow sensor, the Booster Pump Function can be useful to help increase the incoming water flow rate. Turn the pump knob to OFF position, then turn to ON position, and the Booster Pump Function will be ON to increase the incoming water flow rate. While the Booster Pump Function is working and the incoming water flow rate can be maintained above the flow sensor activation level, the Electric Water Heater will resume working continuously as normal. If the incoming flow rate cannot be maintained above the flow sensor activation level, the Booster Pump Function will be auto OFF, and the Electric Water Heater will not be able to function normally due to the incoming flow rate being too low. (If the water flow is too low, the pump feature cannot be activated after the Booster Pump Function. It is advisable to avoid applying the Booster Pump Function to increase the water flow rate more than 3 times of each showering).

Shower Accessory Usage

3 spray shower head have 3 spray patterns:



5 spray shower head have 5 spray patterns:

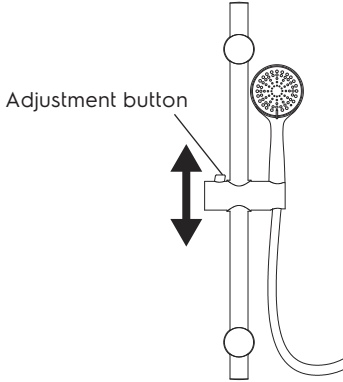


Move the control tab left or right to change different spray patterns.

4. USAGE INSTRUCTION(Continued)

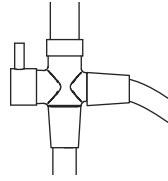
Shower Holder Adjust (For models with slider Rail only)

Press and hold the Adjustment button to adjust the height of the shower holder.



Rain Shower/Shower Head (For models with rain shower accessory only)

Change between the rain shower head and hand shower head by the Selector Valve.



5. MAINTENANCE

Read the section “**SAFETY INFORMATION**” first.

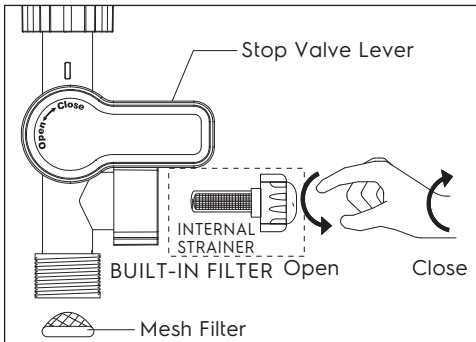
1. TEST THE ‘ELCB (Earth Leakage Circuit Breaker)’ REGULARLY.

This procedure is highly recommended to test at least once a month. Refer to the “**Check the Built-in ELCB**” for the testing procedure.

2. CLEAN THE FILTER REGULARLY

Turn off the water supply before removing the filter.

Clean the Mesh Filter regularly to prevent blockage. Remove the Built-in Filter by turning its cap anticlockwise. Whenever needed, flush the internal strainer with water to remove any trapped sediments. Whenever fixing back the Built-In Filter, beware of the alignment of Internal Strainer. Use the protruded guideline within Stop Valve to position the Internal Strainer.



Clean the Hand shower Head holes using the soft brush from time to time. (Recommended once a week)

Note: Take care not to damage the holes of the Hand shower Head during cleaning.

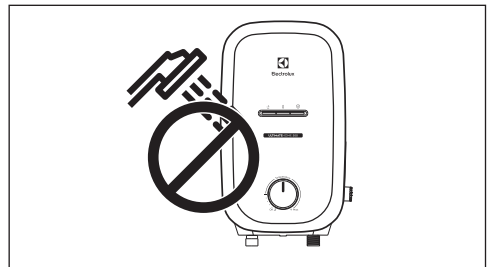
WARNING!

If the Power/Heater Indicator does not turn off when you press the ELCB (Earth Leakage Circuit Breaker) Test Button, switch OFF the mains supply and contact Electrolux Consumer Care Centre for repair service. Special skill is required for repairing. NEVER try to repair the unit by yourself.

CLEANING PRECAUTION!

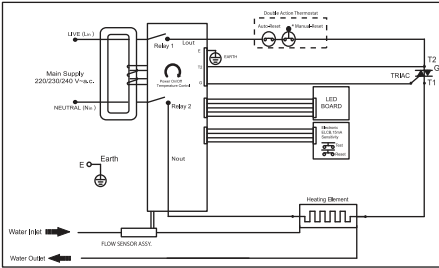
Do not use thinner, alcohol, petrol, or any other organic solutions to clean the set. **Use only a dampened cloth with mild detergent.**

Do not spray on the unit.

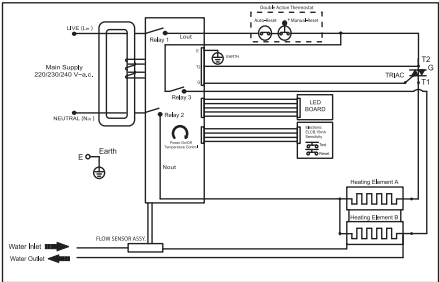


6. WIRING DIAGRAM

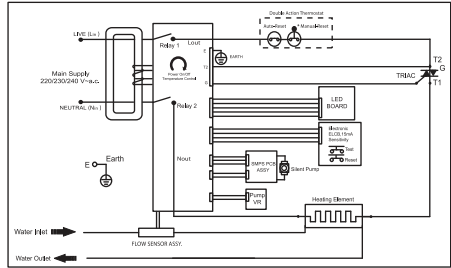
UH500 series with ELCB (Earth Leakage Circuit Breaker), no display, no pump models



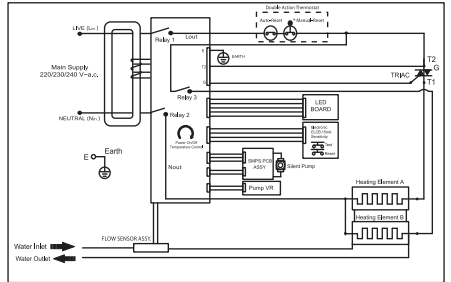
UH500 series with ELCB (Earth Leakage Circuit Breaker), no display, no pump, EMC models



UH500 series with ELCB (Earth Leakage Circuit Breaker), no display, with pump models



UH500 series with ELCB (Earth Leakage Circuit Breaker), no display, DC pump, EMC models



7. Electrical and Recycled Plastic Specification

PRODUCT TYPE (Rated Power)	2.4kW, 3.5kW, 3.8kW, 4.5kW	4.8kW	6.0kW	3.6kW
POWER SUPPLY	220V a.c. 50/60Hz	220V a.c. 50/60Hz	220V a.c. 50/60Hz	240V a.c. 50/60Hz
Min. WATER FLOW RATE	2,0 Litre / min	2.2 Litre / min	2.5 Litre / min	2.0 Litre / min
Min. INLET WATER PRESSURE	0.1 Bar (10 kPa; 1.45 psi)			
Max. INLET WATER PRESSURE	6.0 Bar (0.6 MPa; 87.02 psi)			
WATER CONNECTION	1/2" BSP SINGLE POINT SYSTEM			
DIMENSIONS	Pump models: 218 (W) X 373 (H) X 89 (T) mm No Pump models: 208 (W) X 373 (H) X 89 (T) mm			
Recycled plastic % from all plastics used	EWE451QB-W4(50%), EWE361QB-W4(50%), EWE361QB-G7(50%), EWE351QX-W4(52%), EWE381QX-G4(52%), EWE451QX-W4(52%), EWE361QX-W3(52%), EWE241QX-W4(52%), EWE481QX-G4(52%), EWE601QX1G4(63%)			

Note: The specification, actual product's cosmetic design and accessories parts shown are correct at the time of printing and may be subjected to change without prior notice.

Recycled plastic calculation does not include electrical components and accessories.

WE'RE THINKING OF YOU

Thank you for purchasing an Electrolux appliance. You've chosen a product that brings with it decades of professional experience and innovation. In genius and stylish, it has been designed with you in mind. So whenever you use it, you can be safe in knowledge that you'll get great results every time. Welcome to Electrolux.

Visit our website to:



Get usage advice, brochures, trouble shooter, service information:

www.electrolux.com



Register your product for better service:

www.registerelectrolux.com



Buy Accessories, Consumables and Original spare parts for your appliance:

www.electrolux.com/shop

CONSUMER CARE AND SERVICE

We recommend the use of original spare parts. When contacting Service, ensure that you have the following data available.

The information can be found on the rating plate. Model, PNC, Serial Number. (Right side of unit).



Warning/ Caution-Safety information.



General information and tips.



Environmental information.

Subject to change without notice.

CONSUMER CARE

Indonesia

Hotline service: 08041119999

PT. Electrolux Indonesia

Jalan Tanah Abang II Nomor 42,
Desa/Kelurahan Petojo Selatan,
Kec. Gambir, Kota Adm. Jakarta Pusat,
Provinsi DKI Jakarta, Kode Pos: 10160
Email: customercareID@electrolux.com
SMS & WA : 0812.8088.8863

Malaysia

Consumer Care Center Tel: 1300-88-11-22
Electrolux Home Appliances Sdn. Bhd.
Corporate Office Address: Unit T2-7, 7th Floor,
Tower 2, PJ33,
No. 3, Jalan Semangat, Seksyen 13,
46200 Petaling Jaya, Selangor.
Office Tel : (+60 3) 7843 5999

Office Fax : (+60 3) 7955 5511

Consumer Care Center Address: Lot C6, No.
28, Jalan 15/22, Taman Perindustrian Tiong
Nam, 40200 Shah Alam, Selangor
Consumer Care Center Fax : (+60 3) 5524 2521
Email : malaysia.customercare@electrolux.com

Philippines

Consumer Care Center Toll Free :
1-800-10-845-CARE(2273)

Consumer Care Hotline : (+63 2)
845-CARE(2273)

Electrolux Philippines, Inc.

Unit B 12F Cyber Sigma Bldg, Lawton Avenue,
McKinley West, Taguig, Philippines 1634

Trunkline: +63 2 737- 4757

Website : www.electrolux.com.ph

Email : wecare@electrolux.com

Singapore

Consumer Care Center Tel: (+65) 6727 3699
Electrolux S.E.A. Pte Ltd.

1 Fusionopolis Place,

#07-10 Galaxis, West Lobby

Singapore 138522.

Office Fax : (+65) 6727 3611

Email : customer-care.sin@electrolux.com

Thailand

Consumer Care Tel : (+66 2) 725 9000

Electrolux Thailand Co., Ltd.

Electrolux Building 14th Floor

1910 New Phetchaburi Road,

Bangkapi, Huai Khwang, Bangkok 10310

Office Tel : (+66 2) 7259100

Office Fax : (+66 2) 7259299

Email : customercarethai@electrolux.com

Vietnam

Customer Care Hotline:

1800-58-88-99

Electrolux Vietnam Ltd.

Unit 1,2, Floor 10, Sofic Tower

No. 10 Mai Chi Tho Street - Thu Thiem Urban

Ho Chi Minh City Vietnam

Office Tel : (+84 8) 3910 5465

Office Fax : (+84 8) 3910 5470

Email : vnccare@electrolux.com

Hongkong

Service Hotline: (+852) 3193 9888

DCH Electrical Appliances Services Centre

5/F, DCH Building, 20 Kai Cheung Road,

Kowloon Bay, Hong Kong

www.electrolux.com/shop

