

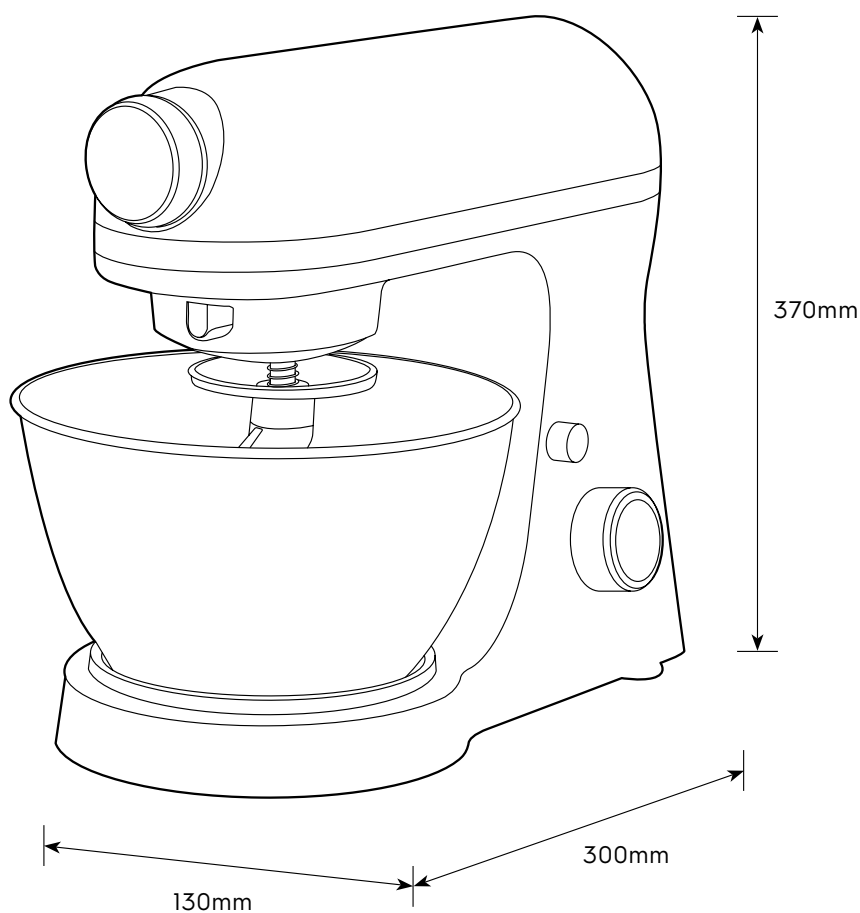
# Dimension Guide

## Stand Mixer

**Model:**  
EKM3437W

### Dimensions

	width	height	depth
Product (mm)	130	370	300



**Please note!** Dimensions to be used as a guide only. All customers MUST refer to the user manual supplied with the product for detailed installation instructions.

© 2022 Electrolux S.E.A PTE. LTD. E\_DIM\_EKM3437W\_Jun22