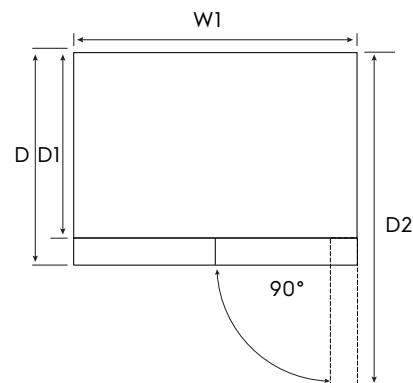
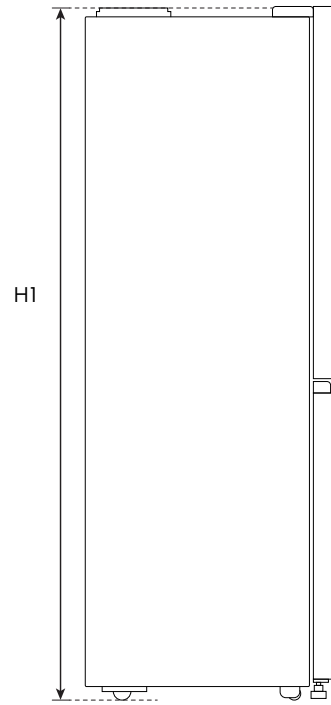
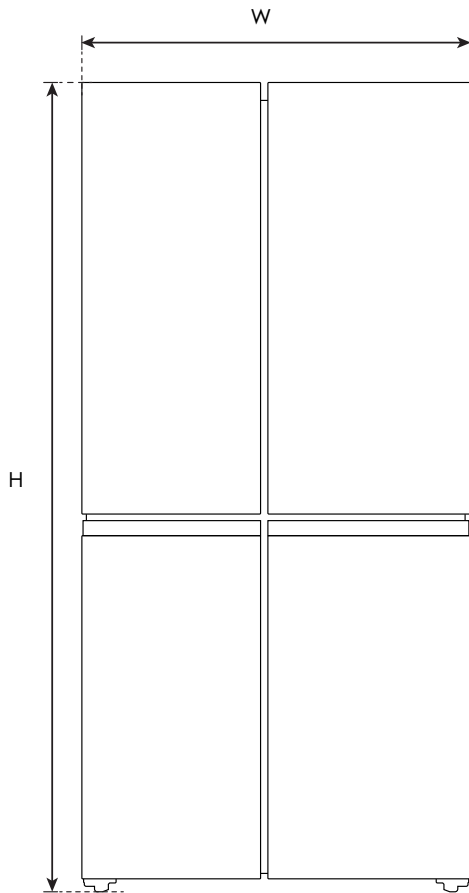


# Dimension Guide

## Quad door refrigerator

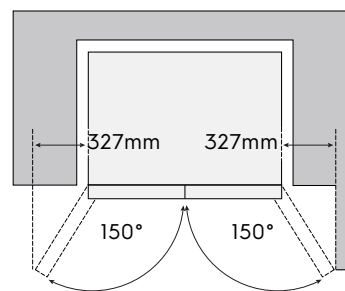
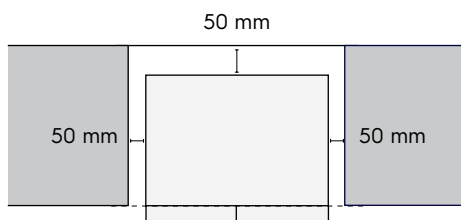
### Model:

EQE4200A-B



### Minimum Recommended Airspaces

Side clearance must be 50mm either side of the fridge body, to have the fridge doors sitting proud of the kitchen cabinet



Please note : Top gap 20 mm.

Quad door refrigerator	Door width (W)	Total depth (D)	Maximum height (H)	Cabinet width (W1)	Cabinet height (H1)	Cabinet depth (D1)	Depth door open 90° (D2)
EQE4200A-B	759	666	1830	756	1774	570	972

Please note! Dimensions to be used as a guide only. All customers MUST refer to the user manual supplied with the product for detailed installation instructions.

© 2024 Electrolux S.E.A PTE. LTD. ELX\_DIM\_EQE4200A-B\_Dec24