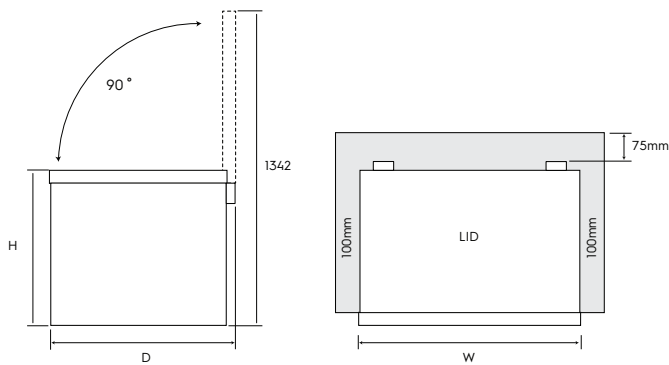
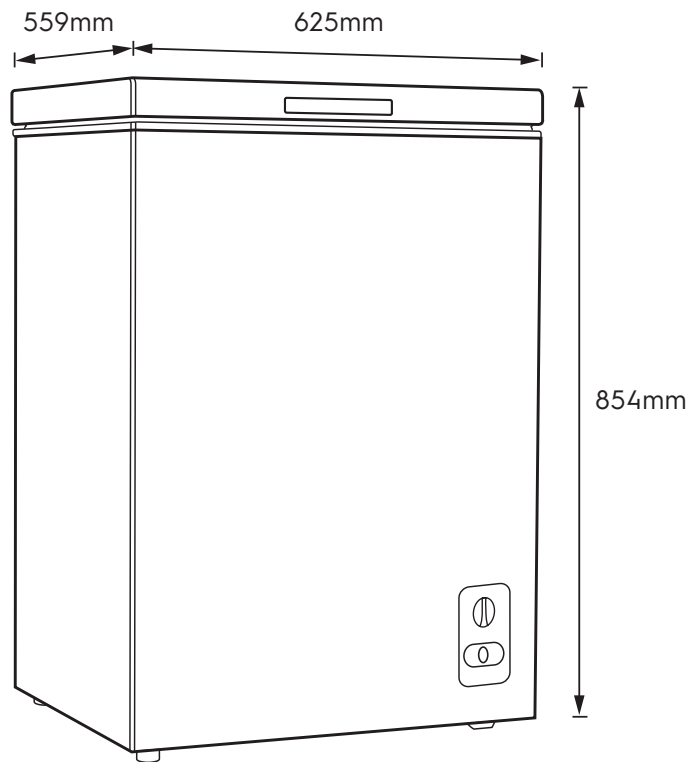


Dimension Guide

Chest freezer

Model:
ECM1400WB

Dimensions			
	width	height	depth
Product (mm)	625	854	559



Minimum Recommended Airspaces

Before you move your appliance into the place where it will operate, check that it will have adequate clearance. Clearance is required for air circulation and too little clearance may affect the performance of your appliance.

Please note! Dimensions to be used as a guide only. All customers MUST refer to the user manual supplied with the product for detailed installation instructions.

© 2022 Electrolux S.E.A PTE. LTD. E_DIM_ECM1400WB_Jan22