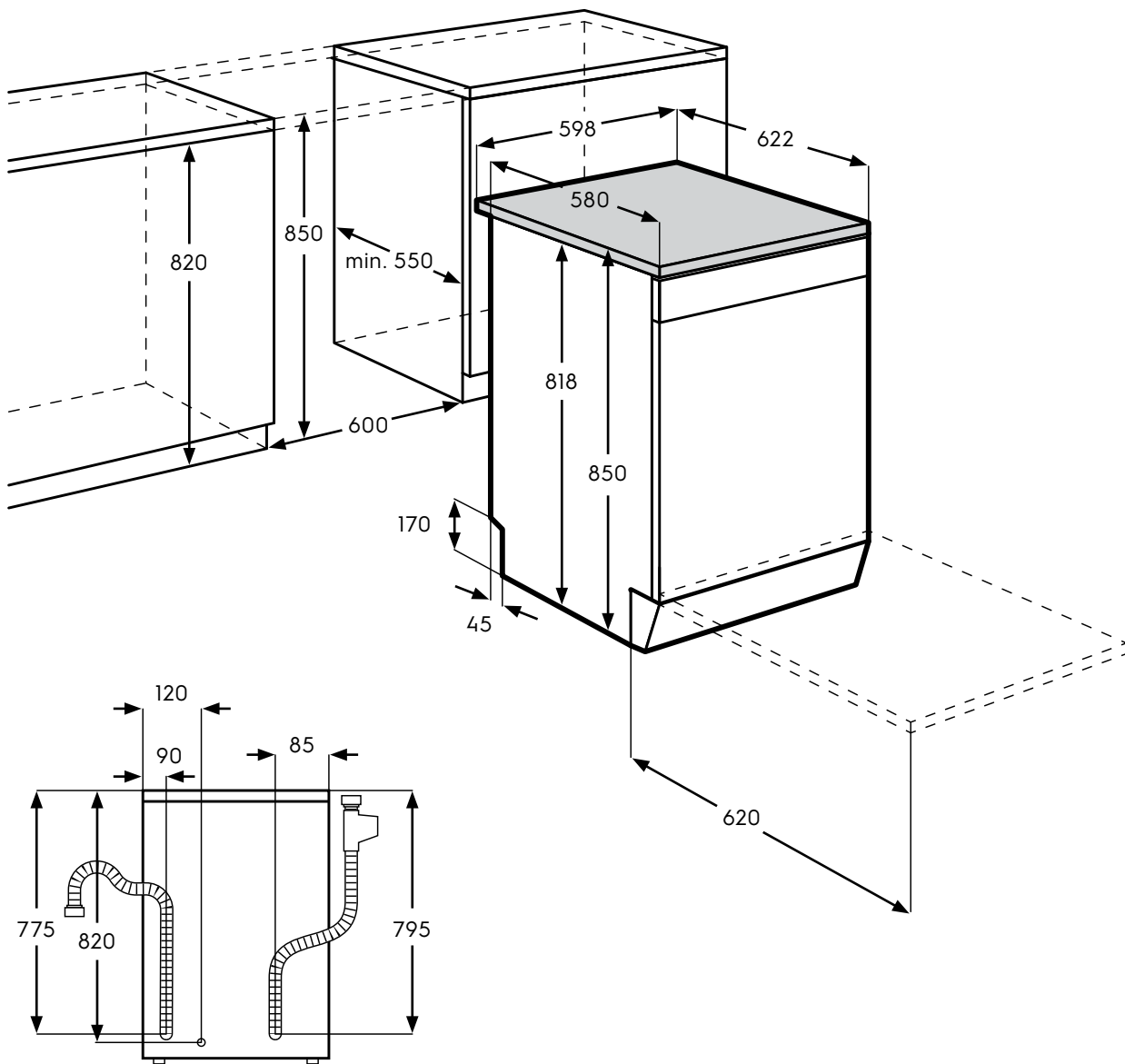


# Dimension Guide

## Freestanding Dishwasher

**Model:**  
ESA47200SX



**Please note!** Dimensions to be used as a guide only. All customers MUST refer to the user manual supplied with the product for detailed installation instructions.  
© 2024 Electrolux S.E.A PTE. LTD. ELX\_DIM\_ESA47200SX-SG-MY-HK\_Jun22